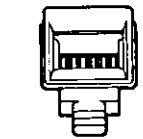
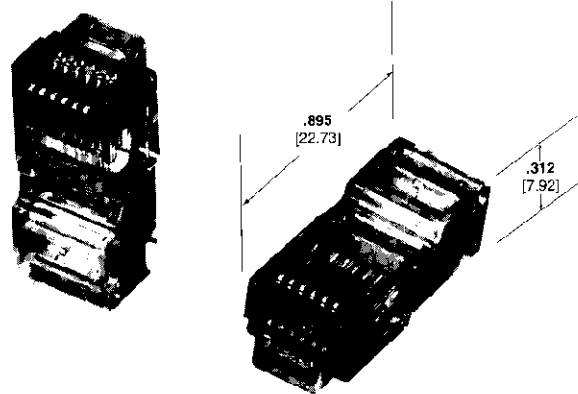


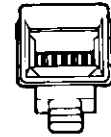
Unshielded Modular Plugs (Continued)

6-Position Long Body

Photo-109865-4



Flat Oval Cable

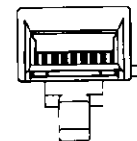
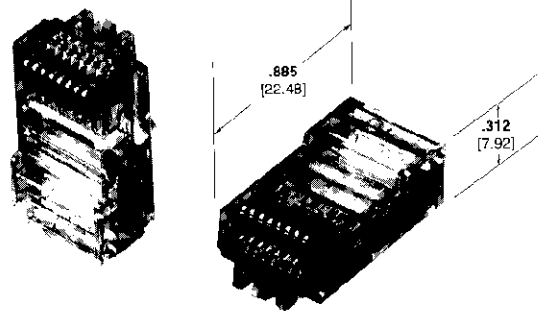


Round Cable

| Description | Plug Part Numbers | | | | | |
|---|-------------------|------------|-----------|------------|------------|------------|
| | Strip | 10,000/Box | 1,000/Box | 500/Box | 100/Box | 25/Bag |
| 6/6-Position Long Flat Oval Solid Line | 555426-1 | N/A | N/A | 5-555426-3 | 5-555426-3 | 5-555426-4 |
| 6/6-Position Long Flat Oval Stranded Line | 555176-1 | N/A | N/A | 5-555176-3 | 5-555176-3 | N/A |
| 6/6-Position Long Round Stranded Line | 555177-1 | N/A | N/A | 5-555177-3 | 5-555177-3 | N/A |

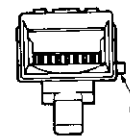
8-Position

Photo-109865-2



Flat Oval Cable

Optional Key



Round Cable

Optional Key

| Description | Plug Part Numbers | | | | | |
|---|-------------------|------------|-----------|------------|-------------------|-------------------|
| | Strip | 10,000/Box | 1,000/Box | 500/Box | 100/Box | 25/Bag |
| 8/8-Position Flat Oval Solid Line | 554720-1 | 5-554720-1 | N/A | 5-554720-2 | 5-554720-3 | 5-554720-4 |
| 8/8-Position Flat Oval Stranded Line | 554739-1 | 5-554739-1 | N/A | 5-554739-2 | 5-554739-3 | 5-554739-4 |
| 8/8-Position Round Solid Line | N/A | 5-557315-1 | N/A | 5-557315-2 | 5-557315-3 | 5-557315-4 |
| 8/8-Position Round Stranded Line | 554169-1 | 5-554169-1 | N/A | 5-554169-2 | 5-554169-3 | 5-554169-4 |
| 8/8-Position Small Round Cable Stranded Line | N/A | 5-557961-1 | N/A | 5-557961-2 | 5-557961-3 | N/A |
| 8/8-Position Small Round Cable Solid Line | N/A | N/A | N/A | 5-569215-2 | N/A | N/A |
| 8/8-Position Flat Oval Small Solid Conductor Line* | N/A | N/A | N/A | 5-557972-2 | 5-557972-3 | N/A |
| 8/8-Position Flat Oval Small Stranded Conductor Line* | N/A | N/A | N/A | 5-557973-2 | 5-557973-3 | N/A |
| 8/8-Position Keyed Flat Oval Solid Line | 555417-1 | N/A | N/A | N/A | 5-555417-2 | 5-555417-4 |
| 8/8-Position Keyed Flat Oval Stranded Line | 554743-1 | N/A | N/A | 5-554743-2 | 5-554743-3 | 5-554743-4 |
| 8/8-Position Keyed Round Stranded Line | 554170-1 | N/A | N/A | 5-554170-2 | 5-554170-3 | 5-554170-4 |

*Small conductor products are for .029 - .034 [.737 - .864] OD conductors. Small Conductor product housings are tinted blue to differentiate from Standard Product.
Standard products cover .029 - .039 [.737 - .991] when a small conductor product does not exist.